

DATA SHEET



Three Phase Induction Motor - Squirrel Cage

Customer :

Product line : W20 GENERAL PURPOSE IE3 Three-Phase Product code : 16017722

Frame	: 180M	Locked rotor time	: 23s (cold) 13s (hot)
Output	: 18.5 kW (25 HP)	Temperature rise	: 80 K
Poles	: 4	Duty cycle	: S1
Frequency	: 50 Hz	Ambient temperature	: -20°C to +40°C
Rated voltage	: 400/690 V	Altitude	: 1000
Rated current	: 35.2/20.4 A	Protection degree	: IP55
L. R. Amperes	: 253/147 A	Cooling method	: IC411 - TEFC
LRC	: 7.2	Mounting	: B3T
No load current	: 17.3/10.0 A	Rotation ¹	: Both (CW and CCW)
Rated speed	: 1475 rpm	Noise level ²	: 62.0 dB(A)
Slip	: 1.67 %	Starting method	: Direct On Line
Rated torque	: 120 Nm	Approx. weight ³	: 180 kg
Locked rotor torque	: 330 %		
Breakdown torque	: 350 %		
Insulation class	: F		
Service factor	: 1.00		
Moment of inertia (J)	: 0.1740 kgm ²		
Design	: N		

Output	50%	75%	100%	Foundation loads Max. traction Max. compression
Efficiency (%)	91.7	92.4	92.6	
Power Factor	0.64	0.75	0.82	

Losses at normative operating points (speed;torque), in percentage of rated output power

P1 (0,9;1,0)	P2 (0,5;1,0)	P3 (0,25;1,0)	P4 (0,9;0,5)	P5 (0,5;0,5)	P6 (0,5;0,25)	P7 (0,25;0,25)
7.8	6.8	6.3	3.9	2.8	1.9	1.4

	<u>Drive end</u>	<u>Non drive end</u>
Bearing type	: 6211 ZZ C3	: 6209 ZZ C3
Sealing	: V'Ring	: V'Ring
Lubrication interval	: -	: -
Lubricant amount	: -	: -
Lubricant type	: Mobil Polyrex EM	

Notes

This revision replaces and cancel the previous one, which must be eliminated.

- (1) Looking the motor from the shaft end.
- (2) Measured at 1m and with tolerance of +3dB(A).
- (3) Approximate weight subject to changes after manufacturing process.
- (4) At 100% of full load.

These are average values based on tests with sinusoidal power supply, subject to the tolerances stipulated in IEC 60034-1.

Rev.	Changes Summary	Performed	Checked	Date
Performed by				
Checked by			Page	Revision
Date	08/12/2025		1 / 2	

DATA SHEET

Three Phase Induction Motor - Squirrel Cage

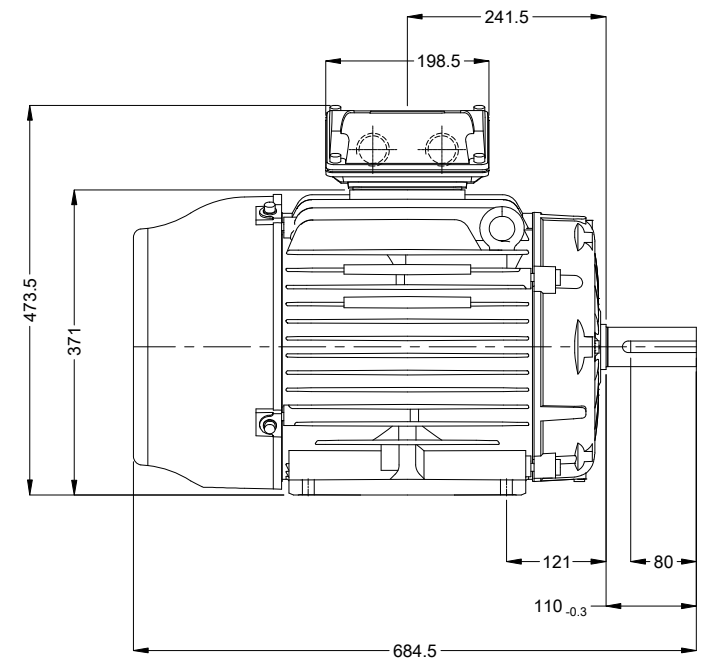
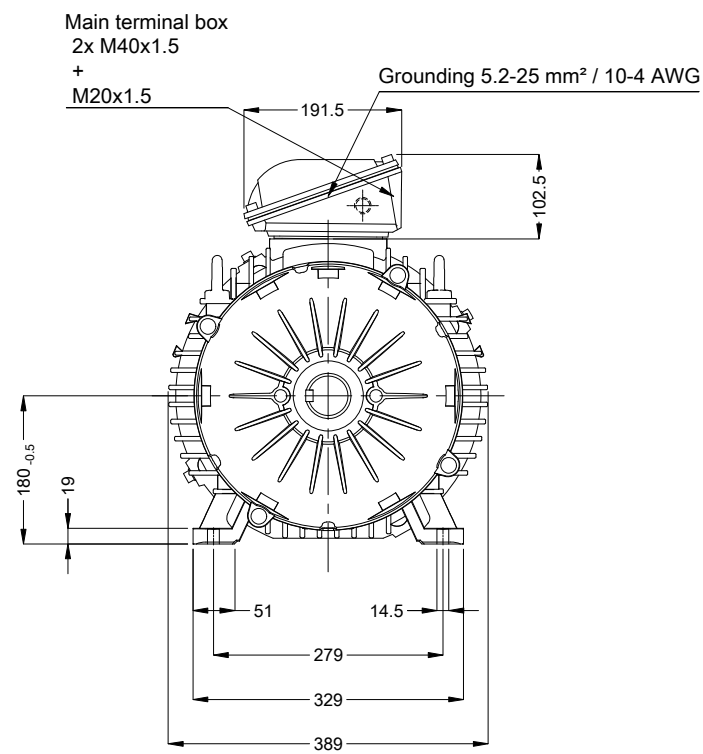
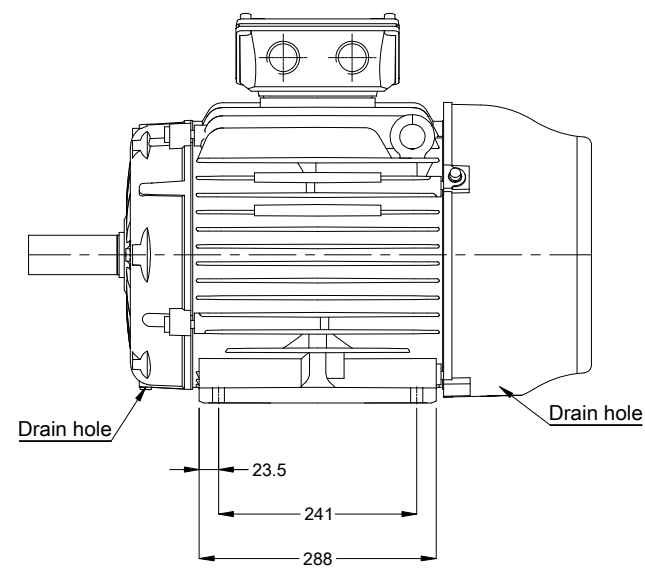


Customer : _____

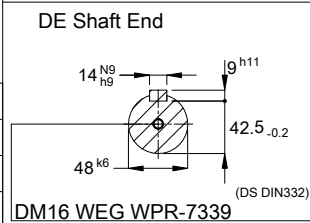
Thermal protection

ID	Application	Type	Quantity	Sensing Temperature
1	Winding	Thermistor - 2 wires	1 x Phase	155 °C

Rev.	Changes Summary	Performed	Checked	Date
Performed by				
Checked by			Page	Revision
Date	08/12/2025		2 / 2	



Color RAL 7042
 Painting plan 203A
 Mounting NEMA F-3
 Mounting B3T



18.5 kW 04 Poles 50 Hz A

Scale 1 : 9

ECM		LOC	SUMMARY OF MODIFICATIONS		HYBRISUSER					00	
EXECUTED	HYBRISUSER		THREE PH. MOTOR W20 GENERAL PURPOSE IE3 FRAME 180M IP55 TEFC		EXECUTED	CHECKED	RELEASED	DATE	VER		
CHECKED											
RELEASED											
REL. DATE											
					PREVIEW		WDD 00				
					SHEET		1 / 1				