

CONFIGURATION OVERVIEW / MP708881/L1.R1

# Product code 3GBA222220-ADN

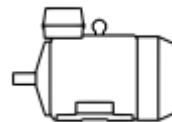
## M2BAX 225SMB 4, 45 kW, 4 poles

### GENERAL

MEPS	EU-MEPS	Altitude	1000 m.a.s.l.
MEPS scope	Inside	Ambient min / max	-20 °C / 40 °C
Motor design	BASIC	Ex atmosphere	No
Legal marking	CE	Customs tariff number	85015290

### MAIN CHARACTERISTICS

Motor type	M2BAX 225SMB 4
Product code	3GBA222220-ADN
ID code	
Shaft height	225 mm
Power	45 kW
Rated voltage $U_N$	400 V $\pm$ 5 % (IEC 60034-1)
Rated frequency $f_N$	50 Hz $\pm$ 2 % (IEC 60034-1)
Number of poles	4
Frame material	Cast Iron
Insulation class	F
Temperature class	-
Mounting	IM1001 IMB3



Enclosure protection class	IC411
Cooling	IP55
Weight	354 kg

**OPERATING POINTS**

Power [kW]	Voltage [V]	Connec- tion	Frequency [Hz]	Effic. Class	Efficiency [%]	Nominal Cur- rent [A]	Is/In	Duty	Speed [rpm]	T Rise
45	690	Y	50	IE4	95.4	47.4	8.7	S1	1481	B
45	400	D	50	IE4	95.4	82.7	8.7	S1	1481	B
45	660	Y	50	IE4	95.4	48.7	8.1	S1	1478	B
45	380	D	50	IE4	95.4	84.6	8	S1	1478	B

**VARIANT CODES**

No variant codes selected.

**MECHANICAL**

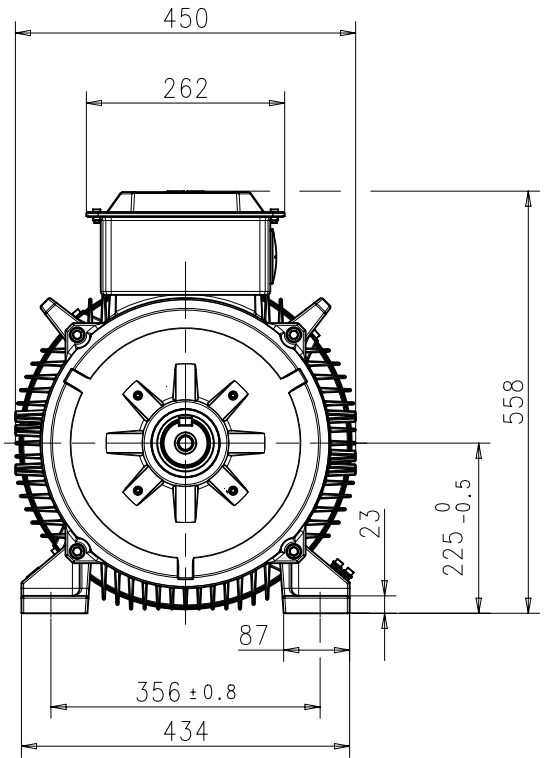
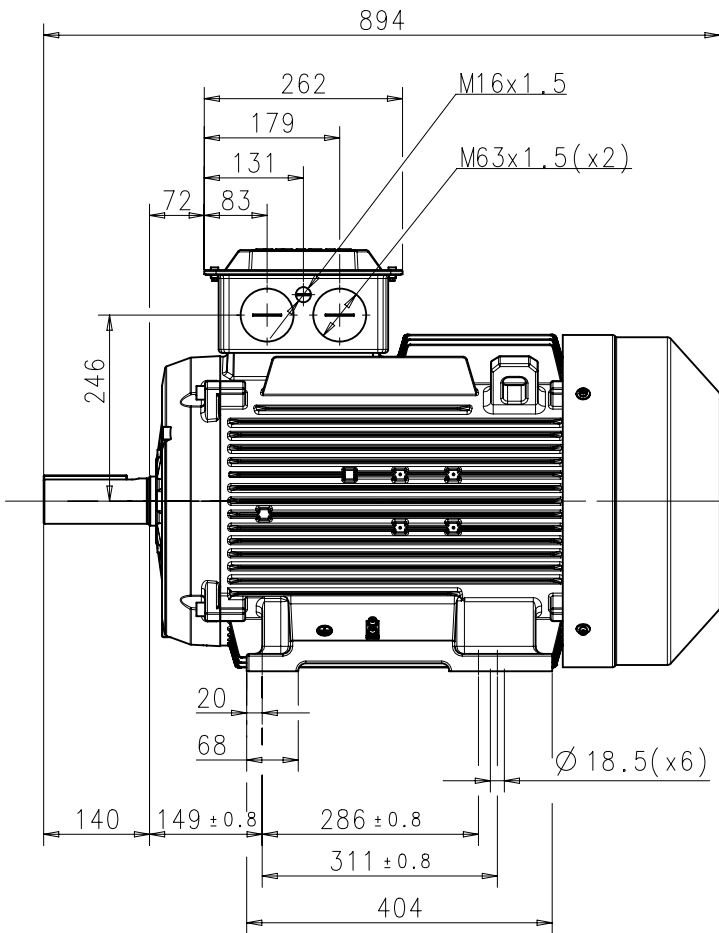
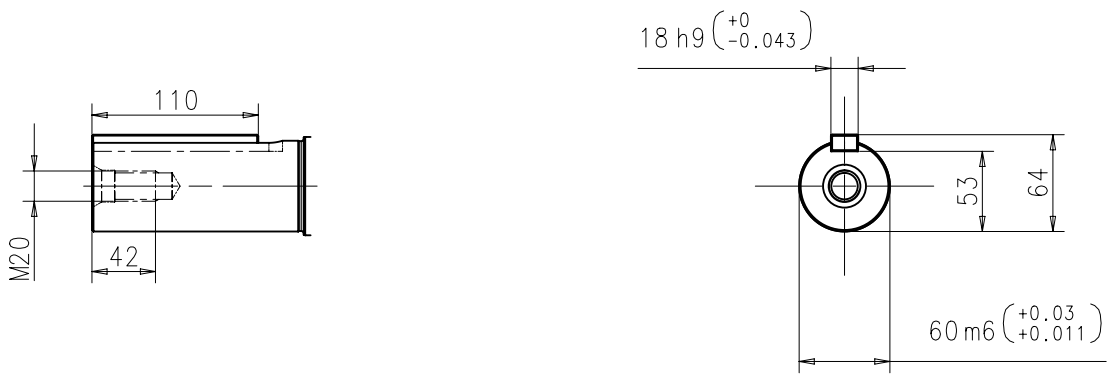
Direction of rotation	CW or CCW
Vibration	A
Paint colour	MUNSELL 8B 4.5/3.25
Paint system	C3 - Medium
Bearing, Drive end	Ball Bearing --
Bearing, Non-drive end	Ball Bearing --
Lubrication style	Greased for life
Main terminal box position	D-End top
Main terminal box turnable	4 x 90 degr
Main terminal cable entry	(2xM63+1xM16)x1.5
Fan material	Glass-fiber reinforced polypropylene
Fan cover material	Steel
Sound pressure level	64 LpdBA

**ACCESSORIES**

No accessories selected.

**MONITORING**

Winding PTC, PTC 1 per phase 150 degr. C  
Vibration sensing, No SPM nipples



Additional information:

<b>Dimension Print</b>	Motor type: IE4M2BAX 225SM_4-6 B3, B6, B7, B8, V5, V6	Document No: 3GZC500022-293 A
------------------------	--	----------------------------------

Description: STANDARD SQUIRREL CAGE MOTOR

Unit: IEC LV Motors Date: 03-Dec-2021	Issued by: Wang, Daivid-Wei Approved by: Wang, Serena-Shinan	Replaces: Replaced by:
--	---	---------------------------

	Customer Reference:	
---	---------------------	---