

CONFIGURATION OVERVIEW / MP710366/L1.R1

# Product code 3GBP312230-ADR

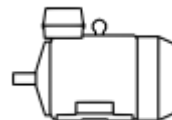
## M3BP 315SMC 4, 110 kW, 4 poles

### GENERAL

MEPS	EU-MEPS	Altitude	1000 m.a.s.l.
MEPS scope	Inside	Ambient min / max	-20 °C / 40 °C
Motor design	BASIC	Ex atmosphere	No
Legal marking	CE	Customs tariff number	85015381

### MAIN CHARACTERISTICS

Motor type	M3BP 315SMC 4
Product code	3GBP312230-ADR
ID code	315C110P4EE5
Shaft height	315 mm
Power	110 kW
Rated voltage $U_N$	400 V $\pm$ 5 % (IEC 60034-1)
Rated frequency $f_N$	50 Hz $\pm$ 2 % (IEC 60034-1)
Number of poles	4
Frame material	Cast Iron
Insulation class	F
Temperature class	-
Mounting	IM1001 IMB3



Enclosure protection class	IC411
Cooling	IP55
Weight	1065 kg

**OPERATING POINTS**

Power [kW]	Voltage [V]	Connec-tion	Frequency [Hz]	Effic. Class	Efficiency [%]	Nominal Cur-rent [A]	Is/In	Duty	Speed [rpm]	T Rise
110	690	Y	50	IE5	97	111	7.9	S1	1491	B
110	400	D	50	IE5	97	192	7.9	S1	1491	B
110	415	D	50	IE5	97	188	8.4	S1	1492	B
110	460	D	60	IE5	96.9	169	9	S1	1792	B
110	660	Y	50	IE5	97	115	7.3	S1	1490	B
110	380	D	50	IE5	97	200	7.3	S1	1490	B

**VARIANT CODES**

No variant codes selected.

**MECHANICAL**

Direction of rotation	CW or CCW
Vibration	A
Paint colour	MUNSELL 8B 4.5/3.25
Paint system	C3 - Medium
Bearing, Drive end	Ball Bearing – 6319/C3
Bearing, Non-drive end	Ball Bearing – 6316/C3
Lubrication style	Regreasable
Main terminal box position	D-End top
Main terminal box turnable	4 x 90 degr
Main terminal cable entry	2xM63x1.5
Fan material	Glass-fiber reinforced polypropylene
Fan cover material	Steel
Sound pressure level	68 LpdBA

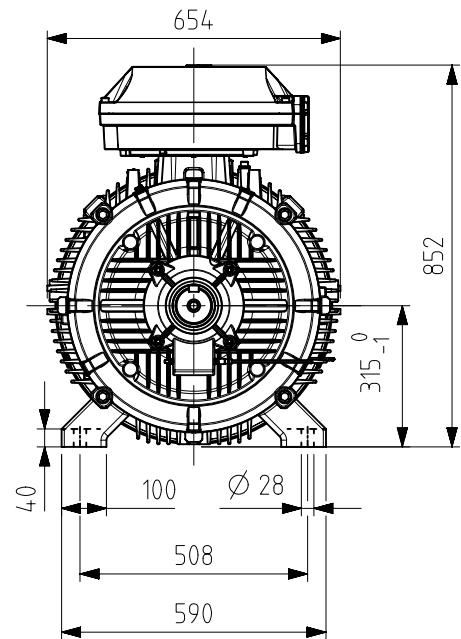
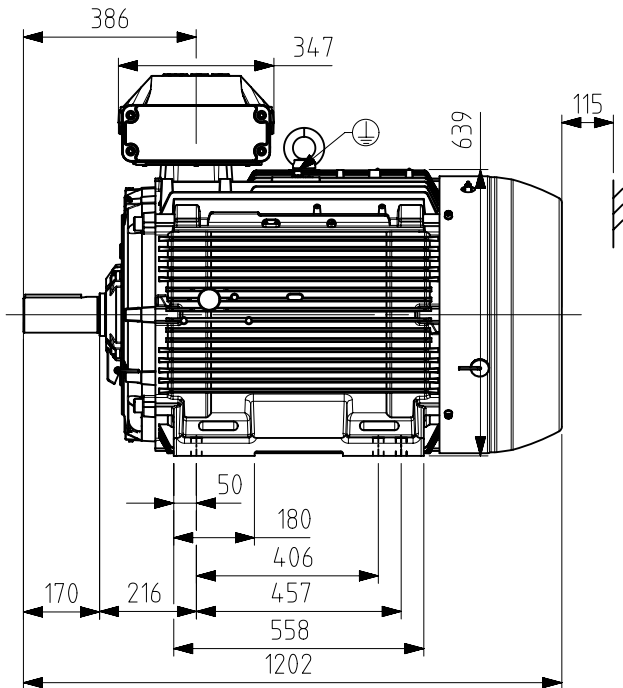
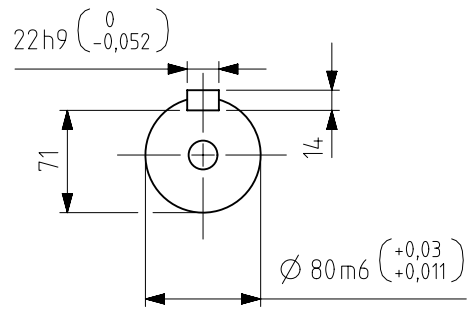
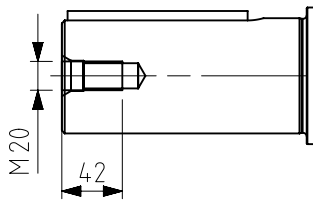
**ACCESSORIES**

No accessories selected.

**MONITORING**

Winding PTC, PTC 1 per phase 150 degr. C  
 Vibration sensing, Standard SPM Nipples





Additional information:

<b>Dimension Print</b>	Motor type: M3BP315 (G/K/L/M) SM_4-12; B3, V5, V6, B6, B7, B8	Document No: 3GZF500031-3621 B
	M3GP/HP315 SM_4-12; B3, V6, B6, B7, B8	

Description:  
STANDARD SQUIRREL CAGE MOTOR WITH TERMINAL BOX 370

Unit: Motors and Generators Date: 30-Mar-2021	Issued by: Härmänmaa, Arttu Approved by: Ketoja, Roope	Replaces: Replaced by:
--	---	---------------------------



Customer Reference:

