

CONFIGURATION OVERVIEW / MP710379/L1.R1

Product code 3GBP312430-ADR

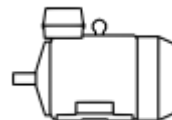
M3BP 315MLC 4, 160 kW, 4 poles

GENERAL

MEPS	EU-MEPS	Altitude	1000 m.a.s.l.
MEPS scope	Inside	Ambient min / max	-20 °C / 40 °C
Motor design	BASIC	Ex atmosphere	No
Legal marking	CE	Customs tariff number	85015381

MAIN CHARACTERISTICS

Motor type	M3BP 315MLC 4
Product code	3GBP312430-ADR
ID code	315C160P4EE5
Shaft height	315 mm
Power	160 kW
Rated voltage U_N	400 V \pm 5 % (IEC 60034-1)
Rated frequency f_N	50 Hz \pm 2 % (IEC 60034-1)
Number of poles	4
Frame material	Cast Iron
Insulation class	F
Temperature class	-
Mounting	IM1001 IMB3



Enclosure protection class	IC411
Cooling	IP55
Weight	1270 kg

OPERATING POINTS

Power [kW]	Voltage [V]	Connec-tion	Frequency [Hz]	Effic. Class	Efficiency [%]	Nominal Cur-rent [A]	Is/In	Duty	Speed [rpm]	T Rise
160	690	Y	50	IE5	97.2	160	8.4	S1	1489	B
160	400	D	50	IE5	97.2	277	8.4	S1	1490	B
160	660	Y	50	IE5	97.2	166	7.8	S1	1488	B
160	380	D	50	IE5	97.2	289	7.7	S1	1488	B
160	415	D	50	IE5	97.2	269	8.9	S1	1490	B
160	460	D	60	IE5	97.2	243	9.7	S1	1791	B

VARIANT CODES

No variant codes selected.

MECHANICAL

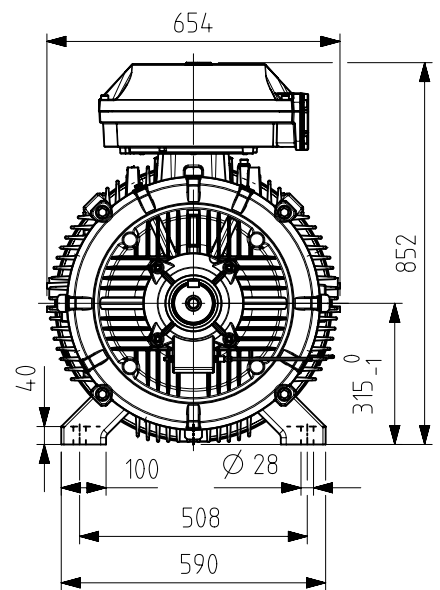
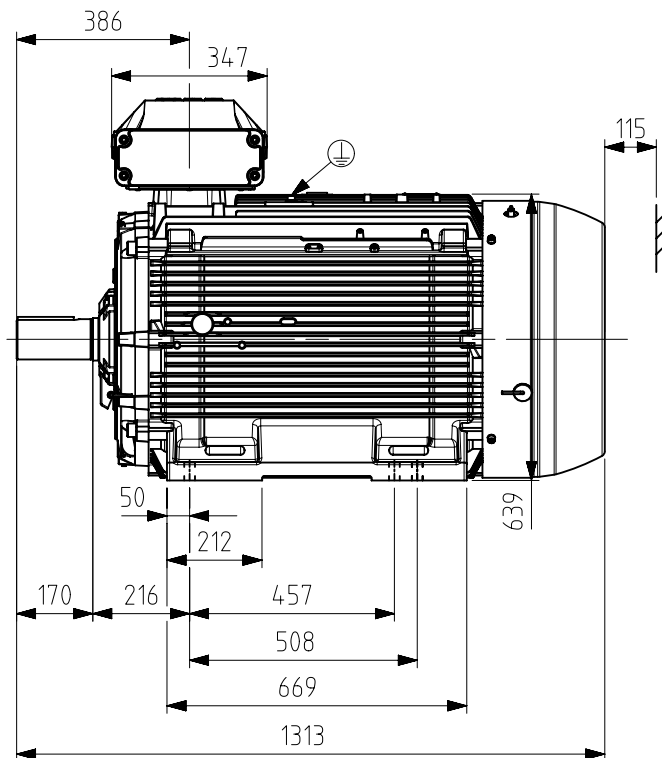
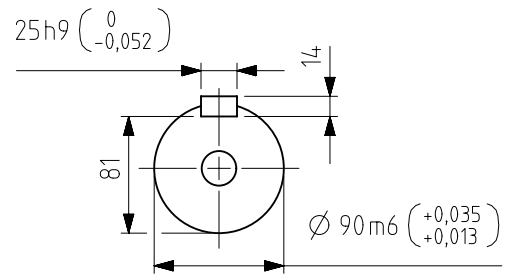
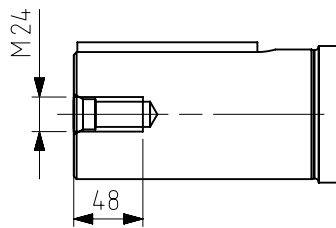
Direction of rotation	CW or CCW
Vibration	A
Paint colour	MUNSELL 8B 4.5/3.25
Paint system	C3 - Medium
Bearing, Drive end	Ball Bearing – 6319/C3
Bearing, Non-drive end	Ball Bearing – 6316/C3
Lubrication style	Regreasable
Main terminal box position	D-End top
Main terminal box turnable	4 x 90 degr
Main terminal cable entry	2xM63x1.5
Fan material	Glass-fiber reinforced polypropylene
Fan cover material	Steel
Sound pressure level	68 LpdBA

ACCESSORIES

No accessories selected.

MONITORING

Winding PTC, PTC 1 per phase 150 degr. C
 Vibration sensing, Standard SPM Nipples



Additional information:

Dimension Print	Motor type: M3BP315 (G/K/L/M) ML_4-12; B3, B6, B7, B8, V5, V6	Document No: 3GZF500031-3673 A
	M3GP/HP315 (G/K/L/M) ML_4-12; B3, B6, B7, B8, V6	

Description: STANDARD SQUIRREL CAGE MOTOR WITH TERMINAL BOX 370

Unit: Motors and Generators Date: 01-Jul-2019	Issued by: Penjala, Iikka Approved by: Härmänmaa, Arttu	Replaces: Replaced by:
--	--	---------------------------



Customer Reference:

