

# Motordatenblatt *motor datasheet*

Motortyp *motor type*  
 Artikelnummer *item no.*

15AA 90 S-6, 3~, 6p  
 52601000751



## Elektrische Daten Netzbetrieb

*electrical data DOL*

| U<br>[V] | D/Y<br>[-] | f<br>[Hz] | P<br>[kW]<br>[hp] | I<br>[A] | n<br>[1/min] | M<br>[Nm] | Nom. Eff [%] @... load |       |       | cos phi @... load      |       |       | Ia/In<br>[-] | Ma/Mn<br>[-] | Mk/Mn<br>[-] | IE Cl.<br>[-] |
|----------|------------|-----------|-------------------|----------|--------------|-----------|------------------------|-------|-------|------------------------|-------|-------|--------------|--------------|--------------|---------------|
|          |            |           |                   |          |              |           | [4/4]                  | [3/4] | [2/4] | [4/4]                  | [3/4] | [2/4] |              |              |              |               |
| 230      | D          | 50        | 0,75              | 3,36     | 955          | 7,50      | 78,9                   | 79,8  | 77,9  | 0,71                   |       |       | 6,0          | 2,0          | 2,1          | IE3           |
| 400      | Y          | 50        | 0,75              | 1,93     | 955          | 7,50      | 78,9                   | 79,8  | 77,9  | 0,71                   |       |       | 6,0          | 2,0          | 2,1          | IE3           |
| 460      | Y          | 60        | 0,86              | 1,84     | 1146         | 7,17      | 82,5                   |       |       | 0,71                   |       |       |              |              |              | IE3           |
| B3       |            |           | 90 S              |          |              | 16 kg     |                        | IP55  |       | IEC, DIN, ISO, VDE, EN |       |       |              |              |              |               |

## Umgebungsbedingungen *environmental conditions*

|  |      |                  |    |    |
|--|------|------------------|----|----|
| Umgebungstemperatur<br><i>ambient temperature</i>          | -20  | bis<br><i>to</i> | 40 | °C |
| Höhe über Meeresspiegel<br><i>altitude above sea level</i> | 1000 |                  |    | m  |

## Mechanische Daten *mechanical data*

|  |                              |   |  |                  |
|--|------------------------------|---|--|------------------|
| Gehäusematerial<br><i>frame material</i>                 | Aluminium<br><i>aluminum</i> |   |  |                  |
| Kondenswasserlöcher<br><i>drain holes</i>                | nein<br><i>no</i>            |   |  |                  |
| Trägheitsmoment<br><i>moment on inertia</i>              | 0,00413875                   |   |  | kgm <sup>2</sup> |
| Äussere Erdungsklemme<br><i>outer earthing connector</i> | nein<br><i>no</i>            |   |  |                  |
| Anstrich<br><i>paint work</i>                            | RAL7030                      | Standardanstrich<br><i>standard paintwork</i> |  |                  |
| Wellenende Abmessungen<br><i>shaft dimension</i>         | Ø 24                         | x   |  | 50 mm            |

## Anschlusskasten *terminal box*

|  |                              |  |  |                 |
|--|------------------------------|--|--|-----------------|
| Anschlusskastenmaterial<br><i>terminal box material</i>          | Aluminium<br><i>aluminum</i> |  |  |                 |
| Anschlusskasten Lage<br><i>terminal box position</i>             | oben<br><i>top</i>           |  |  |                 |
| Gewindebolzen<br><i>terminal bolt thread</i>                     | M4                           |  |  |                 |
| max. Leiterquerschnitt<br><i>max. cable cross-sectional area</i> | 2,5                          |  |  | mm <sup>2</sup> |
| Gewinde für Kabelverschr.<br><i>thread for cable gland</i>       | 2 x M25 x 1,5                |  |  |                 |
| Betriebskondensator<br><i>operating capacitor</i>                |                              |  |  | µF              |
| Anlaufkondensator<br><i>starting capacitor</i>                   |                              |  |  | µF              |

## Hinweise

- PTC sofern im Auftrag spezifiziert / PTC if specified in order

## Motorschutz *protection*

|  |   |
|--|---|
| Zündschutzart<br><i>type of protection</i> | -   |
| Motorschutz<br><i>protection</i>           | ohne Motorschutz<br><i>without winding protection</i> |

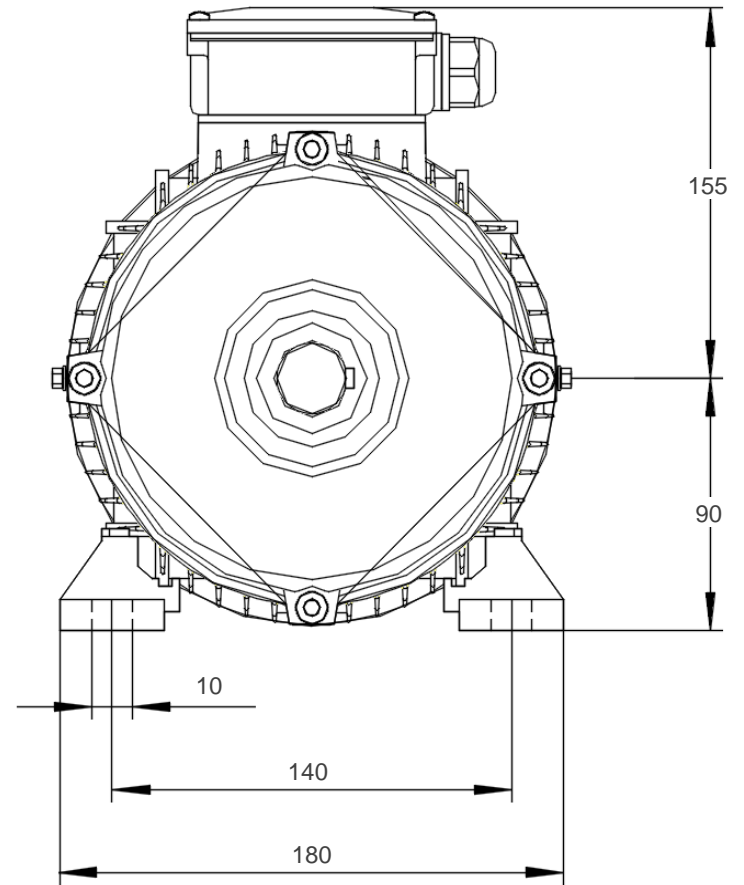
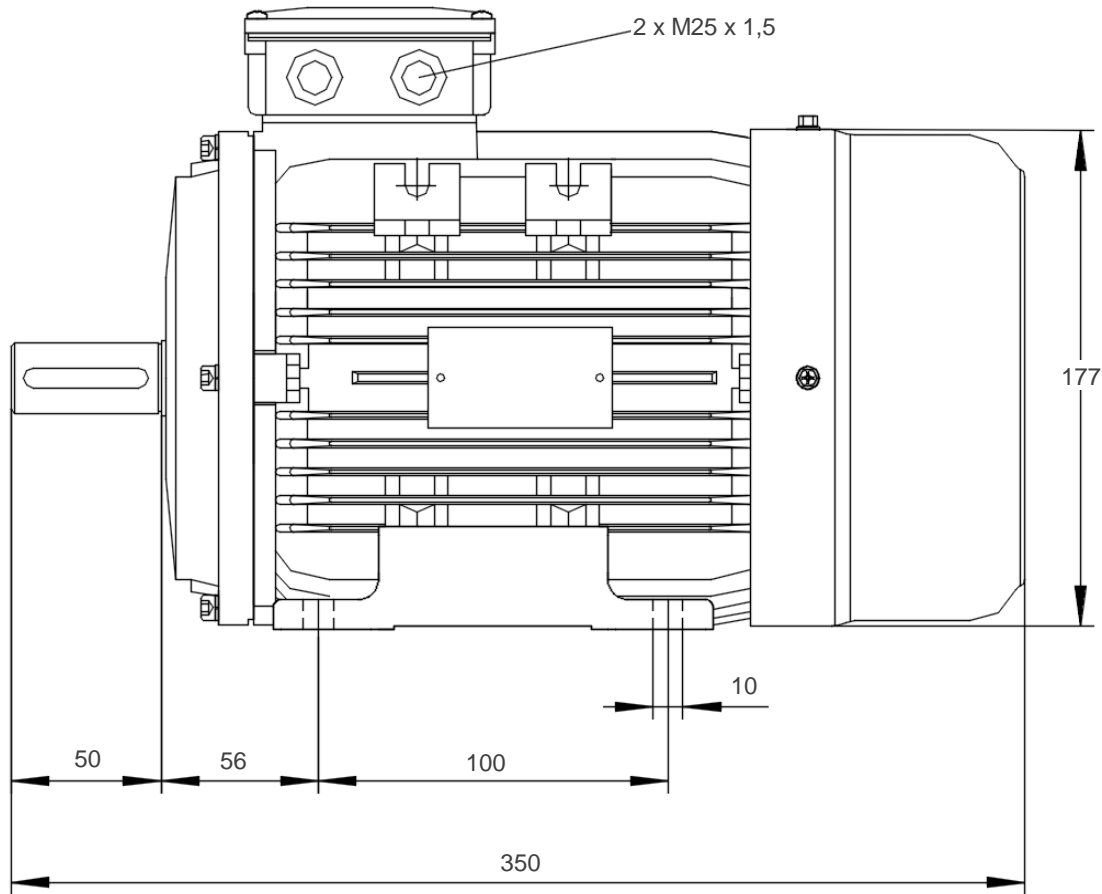
## Allgemeine Daten *general data*

|  |                                       |    |  |    |
|--|---------------------------------------|----|--|----|
| Schalldruckpegel 50/60 Hz (LpFA)<br><i>noise 50/60 Hz (LpFA)</i> | 57                                    | dB |  | dB |
| Kühlart<br><i>method of cooling</i>                              | IC411<br>TEFC                         |    |  |    |
| Vibrationsklasse<br><i>vibration class</i>                       | A                                     |    |  |    |
| Wuchtung<br><i>balancing</i>                                     | Halbkeil<br><i>half key</i>           |    |  |    |
| Isolation<br><i>insulation</i>                                   | 155(F)                                |    |  |    |
| Betriebsart<br><i>duty type</i>                                  | S1                                    |    |  |    |
| Drehrichtung<br><i>direction of rotation</i>                     | bidirektional<br><i>bidirectional</i> |    |  |    |

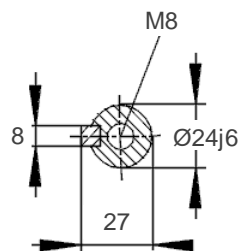
## Lagerung *bearing*

|  |   |                  |                   |                  |
|--|---|------------------|-------------------|------------------|
| Art der Lagerung<br><i>locating bearing</i>  | schwimmende Lagerung<br><i>no located bearing</i> |                  |                   |                  |
| Lager A-/ B-Seite<br><i>bearing DE / NDE</i> | 6205 2Z C3  |                  | 6205 2Z C3        |                  |
| Nachschmierung<br><i>regreasing</i>          | Nein<br><i>no</i>                                 |                  | Nein<br><i>no</i> |                  |
| Intervall<br><i>intervall</i>                | -   | Std.<br><i>h</i> | -                 | Std.<br><i>h</i> |
| Fettmenge<br><i>quantity of grease</i>       | -   | g                | -                 | g                |
| Fettsorte<br><i>grease type</i>              | -   |                  |                   |                  |

**Hints**



Welle A-Seite  
shaft DE



Änderungen und Irrtümer vorbehalten / Subject to change without prior notice!

Datum / Date 26.02.2024

Version 5.00.0062



15AA90 S-6 - B3