

Motordatenblatt *motor datasheet*

Motortyp *motor type*
 Artikelnummer *item no.*

15AA 90 L-4, 3~, 4p
 52401001501



Elektrische Daten Netzbetrieb

electrical data DOL

| U [V] | D/Y [-] | f [Hz] | P [kW] [hp] | I [A] | n [1/min] | M [Nm] | Nom. Eff [%] @... load | | | cos phi @... load | | | Ia/In [-] | Ma/Mn [-] | Mk/Mn [-] | IE Cl. [-] |
|----------|------------|-----------|-------------------|----------|--------------|-----------|------------------------|-------|-------|-------------------|-------|------------------------|--------------|--------------|--------------|---------------|
| | | | | | | | [4/4] | [3/4] | [2/4] | [4/4] | [3/4] | [2/4] | | | | |
| 230 | D | 50 | 1,5 | 5,74 | 1440 | 9,95 | 85,3 | 86,2 | 84,8 | 0,77 | | | 7,0 | 2,3 | 2,3 | IE3 |
| 400 | Y | 50 | 1,5 | 3,30 | 1440 | 9,95 | 85,3 | 86,2 | 84,8 | 0,77 | | | 7,0 | 2,3 | 2,3 | IE3 |
| 460 | Y | 60 | 1,75 | 3,30 | 1728 | 9,67 | 86,5 | | | 0,77 | | | | | | IE3 |
| B3 | | | 90 L | | | 19 kg | | | IP55 | | | IEC, DIN, ISO, VDE, EN | | | | |

Umgebungsbedingungen *environmental conditions*

| | | | | |
|--|------|------------------|----|----|
| Umgebungstemperatur <i>ambient temperature</i> | -20 | bis <i>to</i> | 40 | °C |
| Höhe über Meeresspiegel <i>altitude above sea level</i> | 1000 | | | m |

Mechanische Daten *mechanical data*

| | | | | |
|--|------------------------------|---|--|------------------|
| Gehäusematerial <i>frame material</i> | Aluminium <i>aluminum</i> | | | |
| Kondenswasserlöcher <i>drain holes</i> | nein <i>no</i> | | | |
| Trägheitsmoment <i>moment on inertia</i> | 0,00413875 | | | kgm ² |
| Äussere Erdungsklemme <i>outer earthing connector</i> | nein <i>no</i> | | | |
| Anstrich <i>paint work</i> | RAL7030 | Standardanstrich <i>standard paintwork</i> | | |
| Wellenende Abmessungen <i>shaft dimension</i> | Ø 24 | x | | 50 mm |

Anschlusskasten *terminal box*

| | | | | |
|--|------------------------------|--|--|-----------------|
| Anschlusskastenmaterial <i>terminal box material</i> | Aluminium <i>aluminum</i> | | | |
| Anschlusskasten Lage <i>terminal box position</i> | oben <i>top</i> | | | |
| Gewindebolzen <i>terminal bolt thread</i> | M4 | | | |
| max. Leiterquerschnitt <i>max. cable cross-sectional area</i> | 2,5 | | | mm ² |
| Gewinde für Kabelverschr. <i>thread for cable gland</i> | 2 x M25 x 1,5 | | | |
| Betriebskondensator <i>operating capacitor</i> | | | | µF |
| Anlaufkondensator <i>starting capacitor</i> | | | | µF |

Hinweise

- PTC sofern im Auftrag spezifiziert / PTC if specified in order

Motorschutz *protection*

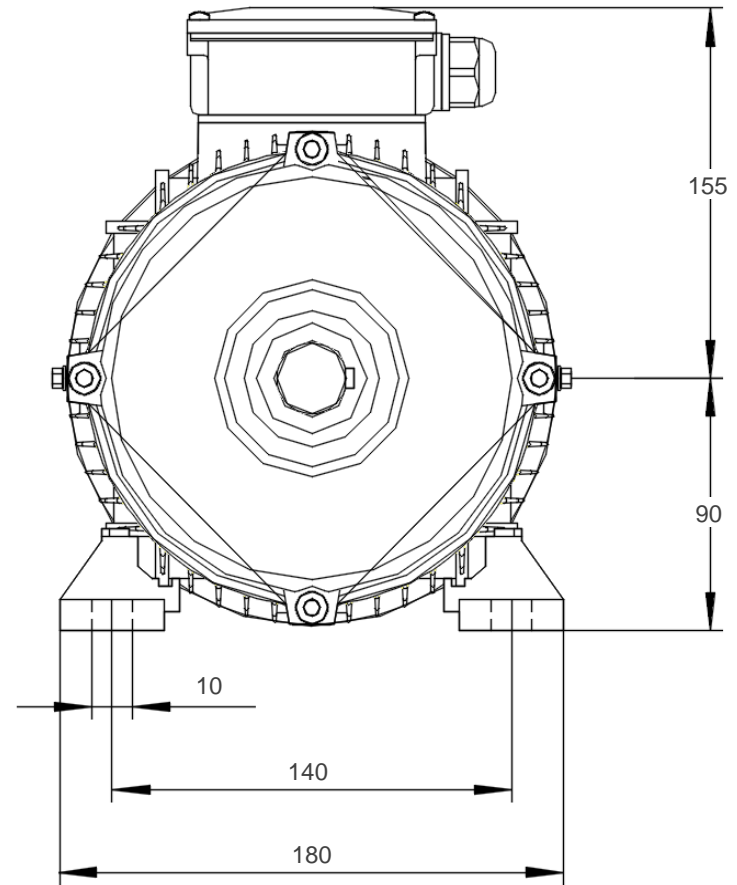
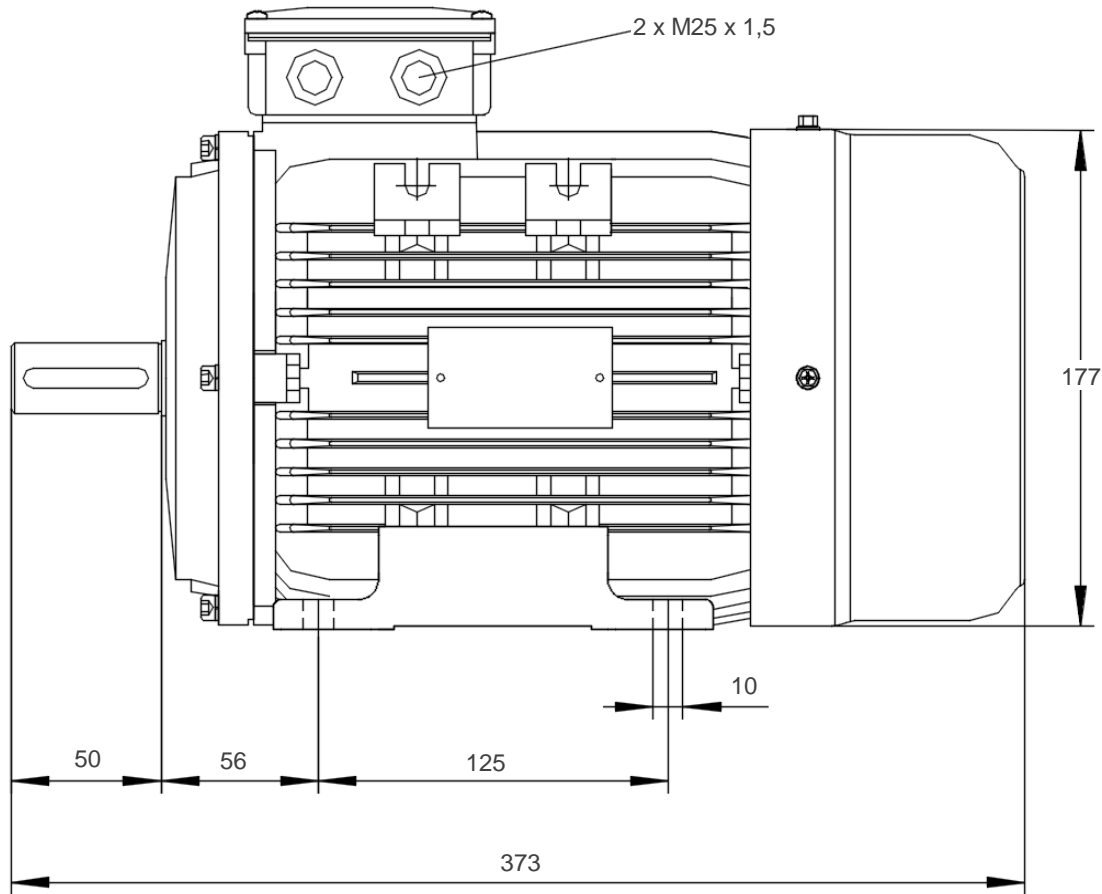
| | |
|--|---|
| Zündschutzart <i>type of protection</i> | - |
| Motorschutz <i>protection</i> | ohne Motorschutz <i>without winding protection</i> |

Allgemeine Daten *general data*

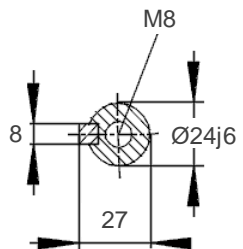
| | | | | |
|--|---------------------------------------|----|--|----|
| Schalldruckpegel 50/60 Hz (LpFA) <i>noise 50/60 Hz (LpFA)</i> | 59 | dB | | dB |
| Kühlart <i>method of cooling</i> | IC411 TEFC | | | |
| Vibrationsklasse <i>vibration class</i> | A | | | |
| Wuchtung <i>balancing</i> | Halbkeil <i>half key</i> | | | |
| Isolation <i>insulation</i> | 155(F) | | | |
| Betriebsart <i>duty type</i> | S1 | | | |
| Drehrichtung <i>direction of rotation</i> | bidirektional <i>bidirectional</i> | | | |

Lagerung *bearing*


| | | | | |
|--|---|------------------|-------------------|------------------|
| Art der Lagerung <i>locating bearing</i> | schwimmende Lagerung <i>no located bearing</i> | | | |
| Lager A-/ B-Seite <i>bearing DE / NDE</i> | 6205 2Z C3 | | 6205 2Z C3 | |
| Nachschmierung <i>regreasing</i> | Nein <i>no</i> | | Nein <i>no</i> | |
| Intervall <i>intervall</i> | - | Std. <i>h</i> | - | Std. <i>h</i> |
| Fettmenge <i>quantity of grease</i> | - | g | - | g |
| Fettsorte <i>grease type</i> | - | | | |



Welle A-Seite
shaft DE



Änderungen und Irrtümer vorbehalten / Subject to change without prior notice!

| | | |
|-----------------|------------|--|
| Datum / Date | 26.02.2024 |  LAMMERS Qualität bewegt. |
| Version | 5.00.0062 | |
| 15AA90 L-4 - B3 | | |