

Motordatenblatt *motor datasheet*

Motortyp *motor type*
 Artikelnummer *item no.*

15AA 132 M-4, 3~, 4p
 52402007501



Elektrische Daten Netzbetrieb

electrical data DOL

| U [V] | D/Y [-] | f [Hz] | P [kW] [hp] | I [A] | n [1/min] | M [Nm] | Nom. Eff [%] @... load | | | cos phi @... load | | | Ia/In [-] | Ma/Mn [-] | Mk/Mn [-] | IE Cl. [-] |
|----------|------------|-----------|-------------------|----------|--------------|-----------|------------------------|-------|-------|-------------------|-------|------------------------|--------------|--------------|--------------|---------------|
| | | | | | | | [4/4] | [3/4] | [2/4] | [4/4] | [3/4] | [2/4] | | | | |
| 400 | D | 50 | 7,5 | 14,3 | 1470 | 48,7 | 90,4 | 91,0 | 90,0 | 0,84 | | | 7,5 | 2,0 | 2,3 | IE3 |
| 690 | Y | 50 | 7,5 | 8,29 | 1470 | 48,7 | 90,4 | 91,0 | 90,0 | 0,84 | | | 7,5 | 2,0 | 2,3 | IE3 |
| 460 | D | 60 | 8,6 | 14,0 | 1764 | 46,6 | 91,7 | | | 0,84 | | | | | | IE3 |
| B3 | | | 132 M | | | 65 kg | | | IP55 | | | IEC, DIN, ISO, VDE, EN | | | | |

Umgebungsbedingungen *environmental conditions*

| | | | | |
|--|------|------------------|----|----|
| Umgebungstemperatur <i>ambient temperature</i> | -20 | bis <i>to</i> | 40 | °C |
| Höhe über Meeresspiegel <i>altitude above sea level</i> | 1000 | | | m |

Mechanische Daten *mechanical data*

| | | | | |
|--|------------------------------|---|--|------------------|
| Gehäusematerial <i>frame material</i> | Aluminium <i>aluminum</i> | | | |
| Kondenswasserlöcher <i>drain holes</i> | nein <i>no</i> | | | |
| Trägheitsmoment <i>moment on inertia</i> | 0,039818 | | | kgm ² |
| Äussere Erdungsklemme <i>outer earthing connector</i> | nein <i>no</i> | | | |
| Anstrich <i>paint work</i> | RAL7030 | Standardanstrich <i>standard paintwork</i> | | |
| Wellenende Abmessungen <i>shaft dimension</i> | Ø 38 | x | | 80 mm |

Anschlusskasten *terminal box*

| | | | | |
|--|------------------------------|--|--|-----------------|
| Anschlusskastenmaterial <i>terminal box material</i> | Aluminium <i>aluminum</i> | | | |
| Anschlusskasten Lage <i>terminal box position</i> | oben <i>top</i> | | | |
| Gewindebolzen <i>terminal bolt thread</i> | | | | |
| max. Leiterquerschnitt <i>max. cable cross-sectional area</i> | | | | mm ² |
| Gewinde für Kabelverschr. <i>thread for cable gland</i> | 2 x M32 x 1,5 | | | |
| Betriebskondensator <i>operating capacitor</i> | | | | µF |
| Anlaufkondensator <i>starting capacitor</i> | | | | µF |

Hinweise

- PTC sofern im Auftrag spezifiziert / PTC if specified in order

Motorschutz *protection*

| | | | |
|--|---|--|--|
| Zündschutzart <i>type of protection</i> | - | | |
| Motorschutz <i>protection</i> | ohne Motorschutz <i>without winding protection</i> | | |

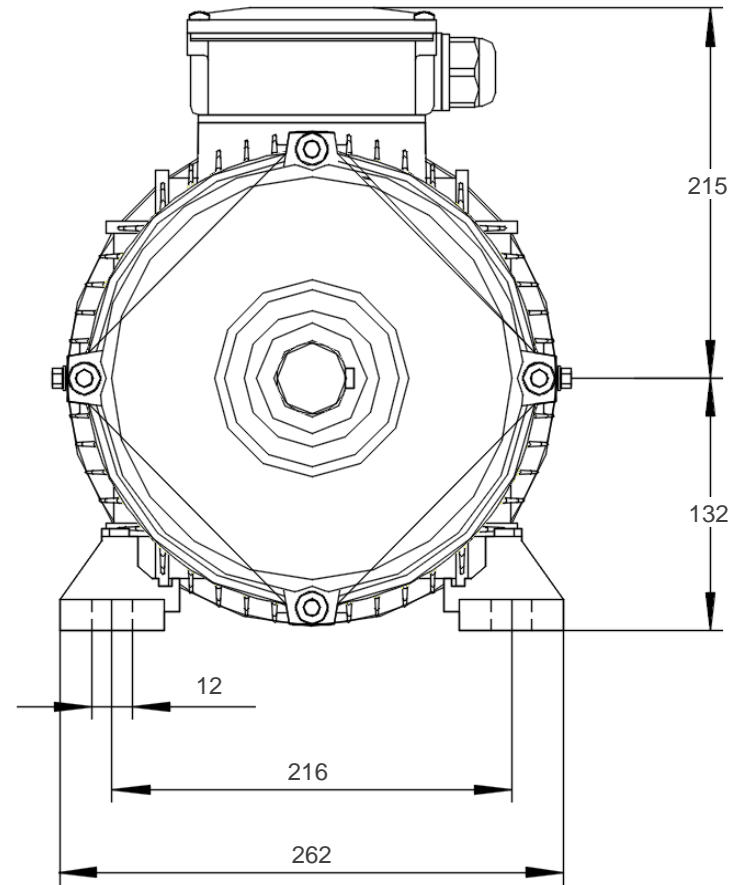
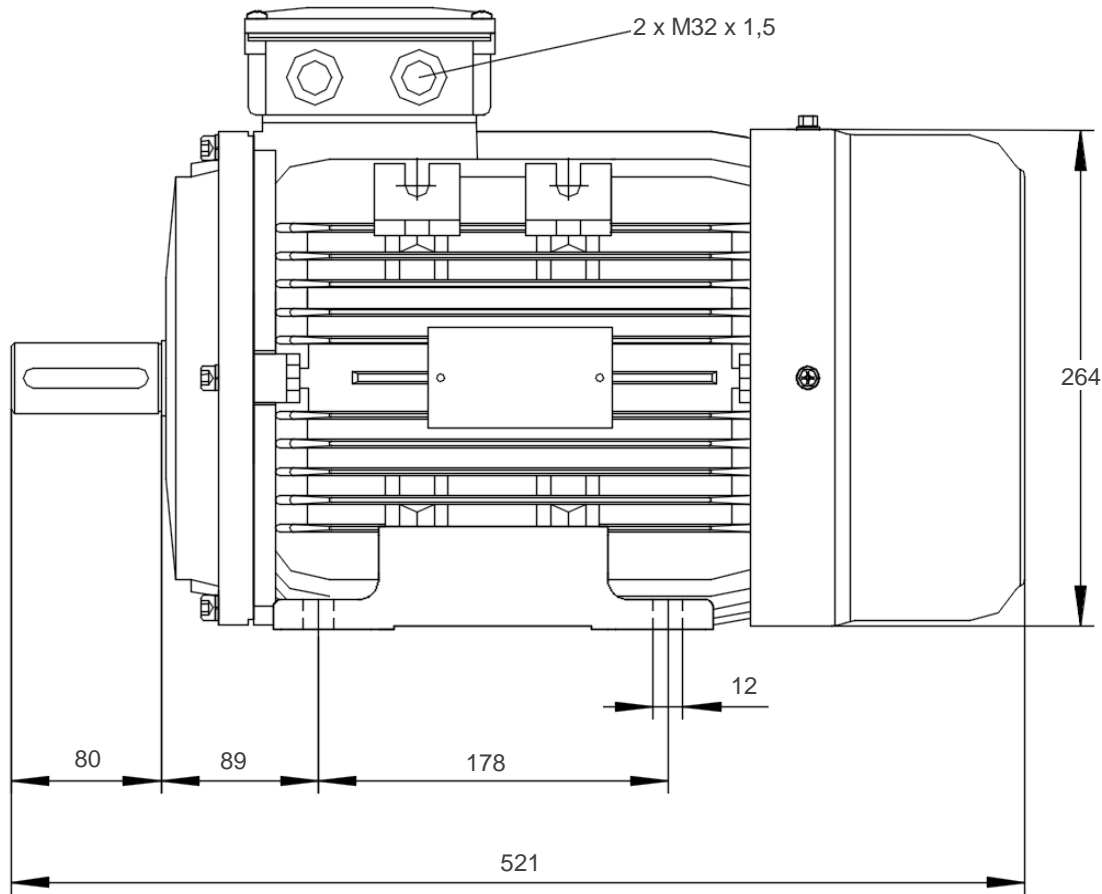
Allgemeine Daten *general data*

| | | | |
|--|---------------------------------------|----|----|
| Schalldruckpegel 50/60 Hz (LpFA) <i>noise 50/60 Hz (LpFA)</i> | 71 | dB | dB |
| Kühlart <i>method of cooling</i> | IC411 TEFC | | |
| Vibrationsklasse <i>vibration class</i> | A | | |
| Wuchtung <i>balancing</i> | Halbkeil <i>half key</i> | | |
| Isolation <i>insulation</i> | 155(F) | | |
| Betriebsart <i>duty type</i> | S1 | | |
| Drehrichtung <i>direction of rotation</i> | bidirektional <i>bidirectional</i> | | |

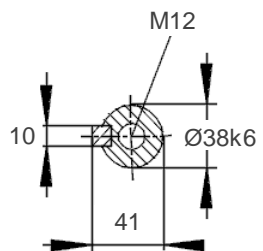
Lagerung *bearing*

| | | | |
|--|---|------------------|-------------------|
| Art der Lagerung <i>locating bearing</i> | Festlager B-Seite <i>located bearing NDE</i> | | |
| Lager A-/ B-Seite <i>bearing DE / NDE</i> | 6308 2Z C3 | | 6308 2Z C3 |
| Nachschmierung <i>regreasing</i> | Nein <i>no</i> | | Nein <i>no</i> |
| Intervall <i>intervall</i> | - | Std. <i>h</i> | - |
| Fettmenge <i>quantity of grease</i> | - | g | - |
| Fettsorte <i>grease type</i> | - | | |

Hints



Welle A-Seite
shaft DE



Änderungen und Irrtümer vorbehalten / Subject to change without prior notice!

Datum / Date 26.02.2024

Version 5.00.0062



15AA132 M-4 - B3